

PRODUCT INFORMATION PACKET

marathon[®]
Motors

Model No: 254TTDX16010
Catalog No: E708A
20,3600,DP,254T,3/60/230/460
Open Drip Proof (ODP)



Regal and Marathon are trademarks of Regal Beloit Corporation or one of its affiliated companies.
©2018 Regal Beloit Corporation, All Rights Reserved. MC017097E

REGAL[®]



Nameplate Specifications

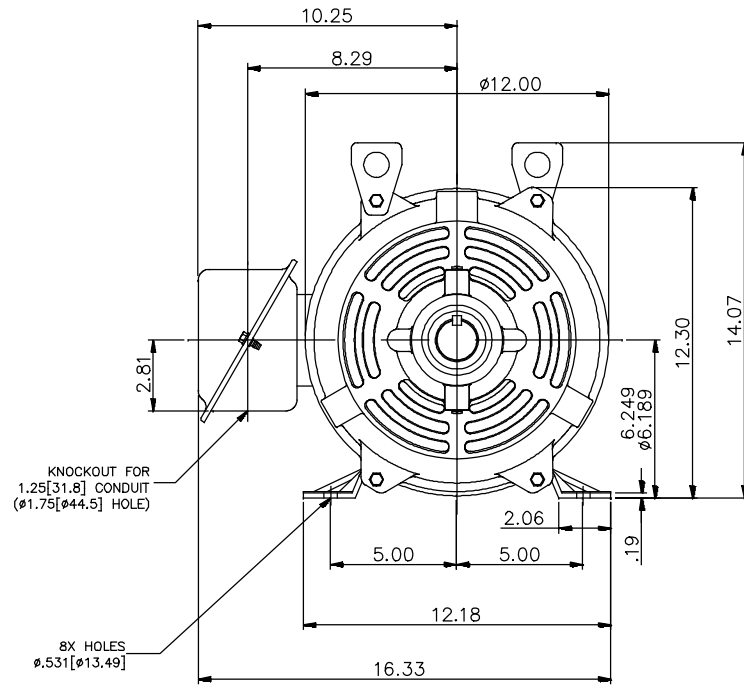
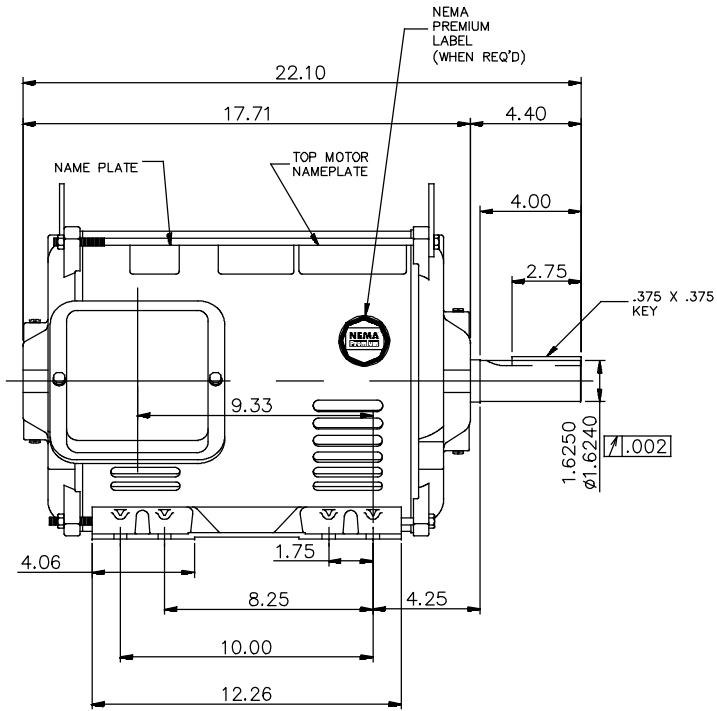
Output HP	20 Hp	Output KW	14.9 kW
Frequency	60 Hz	Voltage	230/460 V
Current	48.0/24.0 A	Speed	3535 rpm
Service Factor	1.15	Phase	3
Efficiency	91 %	Duty	Continuous
Insulation Class	F	Design Code	B
KVA Code	G	Frame	254T
Enclosure	Drip Proof	Overload Protector	No
Ambient Temperature	40 °C	Drive End Bearing Size	6309
Opp Drive End Bearing Size	6207	UL	Recognized
CSA	Y	CE	N
IP Code	12		

Technical Specifications

Electrical Type	Squirrel Cage Induction Run	Starting Method	Across The Line
Poles	2	Rotation	Reversible
Mounting	Rigid base	Motor Orientation	Horizontal
Drive End Bearing	Ball	Opp Drive End Bearing	Ball
Frame Material	Rolled Steel	Shaft Type	T
Overall Length	22.1 in	Shaft Diameter	1.625 in
Shaft Extension	4 in	Assembly/Box Mounting	F1 Only
Outline Drawing	037977	Connection Diagram	80022802

This is an uncontrolled document once printed or downloaded and is subject to change without notice. Date Created: 06/29/2018

037977



NOTES:

1. CONDUIT BOX MAY BE ROTATED IN 90° INCREMENTS.
2. MOTOR IS SUITABLE FOR FIELD CONVERSION FROM AN F1 TO AN F2 CONDUIT BOX LOCATION.
3. MOTOR VENTILATION: AIR INTAKE THROUGH OPENINGS IN THE FACE OF EACH BRACKET AND EXHAUSTED THROUGH THE VENT SLOTS ON EACH END OF THE SHELL.

MOTOR DESCRIPTION:

3 PHASE OPEN DRIPPROOF STEEL SHELL 254T OR 256T MOUNTING. OTHER MOUNTING ORIENTATIONS ARE ACCEPTABLE; HOWEVER WHEN MOUNTED OTHER THAN HORIZONTAL; MOTOR WILL NOT BE DRIPPROOF AS DEFINED BY NEMA.

		TOLERANCES UNLESS SPECIFIED		DRAWN PVR 01/28/15
		DEC.	INCHES	
		.X	±.1	APPD
003	ADDED NAME PLATE	MVG 12/12/17	SR .XX ±.03	TITLE OUTLINE
002	CHANGED FROM 20 HP TO 15 HP	AS 01/19/17	ST .XXX ±.005	SCALE 1=4.2
001	ADDED REGAL LOGO	SRK 02/23/16	GR .XXXX ±.0005	REF 18748501-001
NO.	REVISION	BY & DATE	CHK ANG ±7'30"	FMF
THIS DRAWING IN DESIGN AND DETAIL IS OUR PROPERTY AND MUST NOT BE USED EXCEPT IN CONNECTION WITH OUR WORK ALL RIGHTS OF DESIGN AND INVENTION ARE RESERVED THIS IS AN ELECTRONICALLY GENERATED DOCUMENT - DO NOT SCALE THIS PRINT			RFP	PAGE 1 OF 1
			DIST LB	REV. 003



CAD FILE 037977

SIZE A DRAWING NO. 037977